

# SJ45 T+

## TELESCOPIC BOOM



### STANDARD FEATURES

- EASYDRIVE™ Direction sensing drive and steer controls
- AXLDRIVE™ Axle-based 4WD system
- ELEVATE Live
- Operator controlled locking rear differential and limited slip front differential
- Oscillating steer axle
- Drivable at full height
- 40% Gradeability
- Wet disc SAHR brakes (Front and rear axle)
- Grip lug solid non-marking tyres
- Dual module control system with SKYCODED™ colour coded and numbered wiring
- SMARTORQUE™ Kubota D1305 diesel engine
- ECOSTART (idle-eliminating)
- Swing up cowlings for easy access
- Proportional joystick controls and speed selector for platform toggle switch controls
- 300kg / 454kg Dual capacity
- 0.91 x 2.44 m Platform
- Bolt-in platform railings
- Lanyard attachment points
- Tri-entry sliding mid-rail
- Secondary Guarding Electrical (SGE)
- Overload sensing system
- Wiring for AC outlet on platform
- Tilt alarm (5.0° x 5.0°) with drive and lift cut-out
- Single point emergency lowering
- 360° Continuous turret rotation
- Tie down/lifting lugs
- Hourmeter
- Operator horn
- Lockable power disconnect switch
- 7.5 kW Generator (Includes hydraulic oil cooler)
- White noise motion alarm
- Flashing Light

### ACCESSORIES

- Glazier kit
- Pipe rack
- Tool caddy

### OPTIONS

- 0.91 x 1.83 m Platform
- Rear spring hinged entry gate
- Auxiliary top rail (0.91 x 2.44 m platform only)
- Half-height mesh platform (either size)
- Control box cover
- Grip lug foam filled non-marking tyres
- Diesel scrubber
- Bio oil
- ELEVATE telematics

Preliminary specifications at time of printing.

† Standard lead times may be increased when optional equipment is added, consult factory.

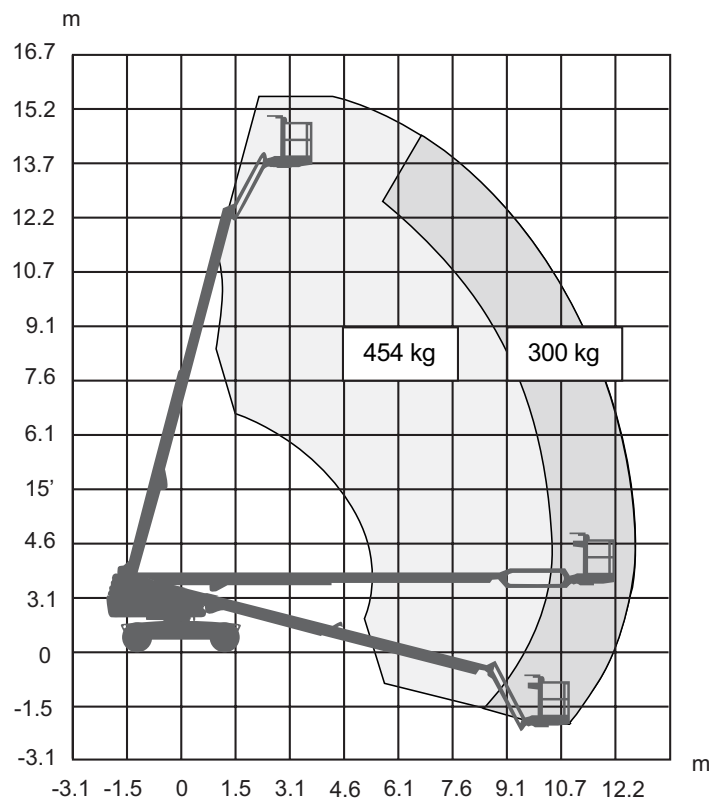
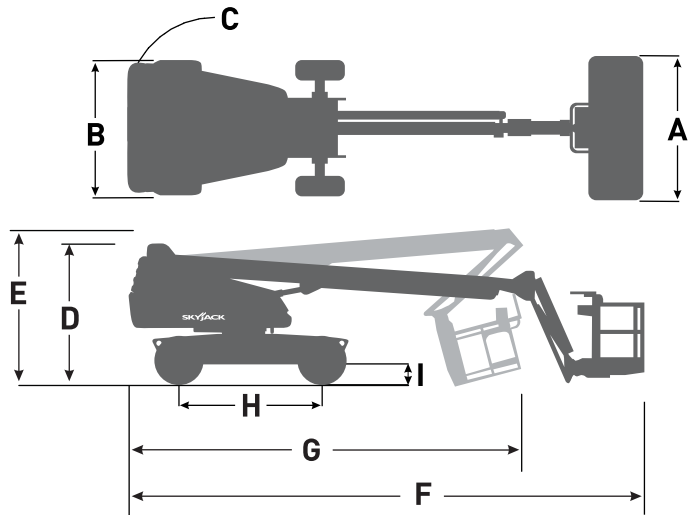
‡ Capacities and machine weights may differ when options are added.

**SKYJACK**  
simply reliable™

# SJ45 T+ TELESCOPIC BOOM

Dimensions	SJ45 T+
Work Height	15.75 m
Platform Height	13.75 m
Horizontal Reach	12.10 m
Working Reach	12.75 m
<b>A</b> Platform Size	0.91 x 2.44 m
<b>B</b> Stowed Width	2.29 m
<b>C</b> Tailswing	1.12 m
<b>D</b> Stowed Height	2.40 m
<b>E</b> Transportation Height	2.92 m
<b>F</b> Stowed Length	8.83 m
<b>G</b> Transportation Length	6.99 m
<b>H</b> Wheelbase	2.44 m
<b>I</b> Ground Clearance	0.27 m

Specifications	SJ45 T+
Rotation	360° Continuous
Platform Rotation	170°
Jib Length	1.52 m
Jib Range +/-	+65° / -60°
Weight	7,160 kg
Gradeability	40 %
Turning Radius (Inside)	2.24 m
Turning Radius (Outside)	5.18 m
Axle Oscillation	12.70 cm
Drive Speed (High speed)	4.0 km/h
Capacity	300 / 454 kg
Maximum wind rating	12.5 m/s
Personnel Rating at Max Wind Rating	2 / 3
Tyre Size	10 x 31
Tyre Type	Solid Non-Marking
Diesel Engine	Kubota D1305 18.5 KW (24.8 HP)
Fuel Tank Capacity	170 L
Hydraulic Reservoir	223 L



**SJ45 T+ WORKING ENVELOPE**

[www.skyjack.com](http://www.skyjack.com)

**Skyjack Australia**

Unit 1, 35 Honeycomb Drive  
 Eastern Creek  
 New South Wales 2766  
 Australia  
 Tel: +61 (0) 2 9854 0700  
 Fax: +61 (0) 2 9854 0777  
 Email: jcranmer@skyjack.com

