



## SJ45 T TELESCOPIC BOOM

### STANDARD FEATURES

- EASYDRIVE™ Direction sensing drive and steer controls
- SKYCODED™ Colour coded and numbered wiring system
- Axle based 4WD
- Operator controlled locking rear differential and limited slip front differential
- Oscillating axle
- 45% Gradeability
- Drivable at full height
- Stage V Deutz D2.2L diesel engine
- Wet disc SAHR brakes (rear axle)
- Relay based control system
- Proportional controls
- Secondary guarding electrical (SGE)
- Overload sensing system
- Tilt alarm with drive cut-out
- 0.91 x 1.83 m Platform
- Modular platform railing system
- Lanyard attachment points
- Tri-entry sliding mid-rail
- Wiring for AC outlet on platform
- Swing out engine tray
- Swing up fiberglass cowlings
- Operator horn
- Hourmeter
- 360° Continuous turret rotation
- Tie down/lifting lugs
- 12 x 16.5 Grip lug foam-filled tyres

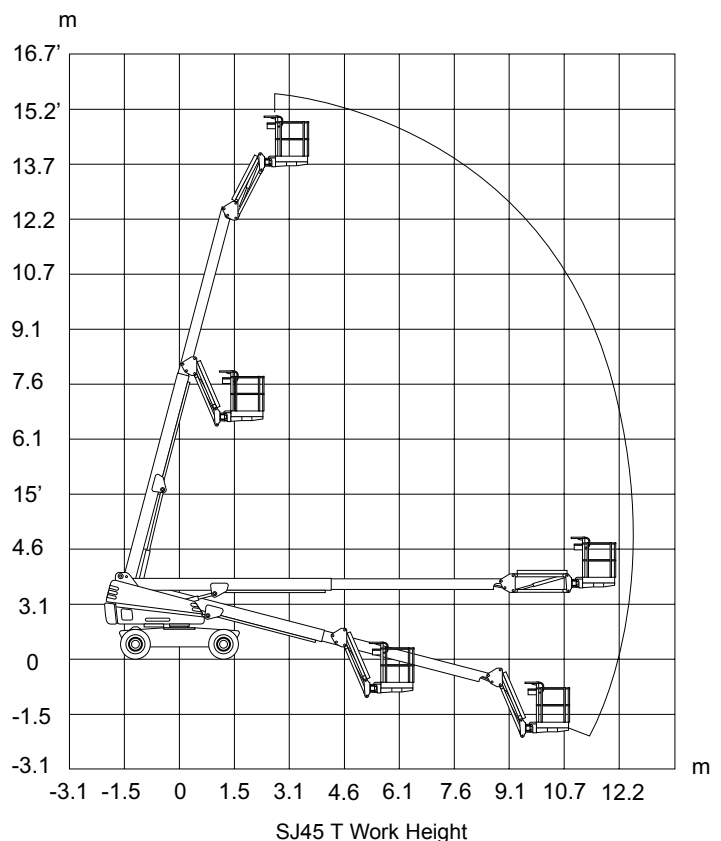
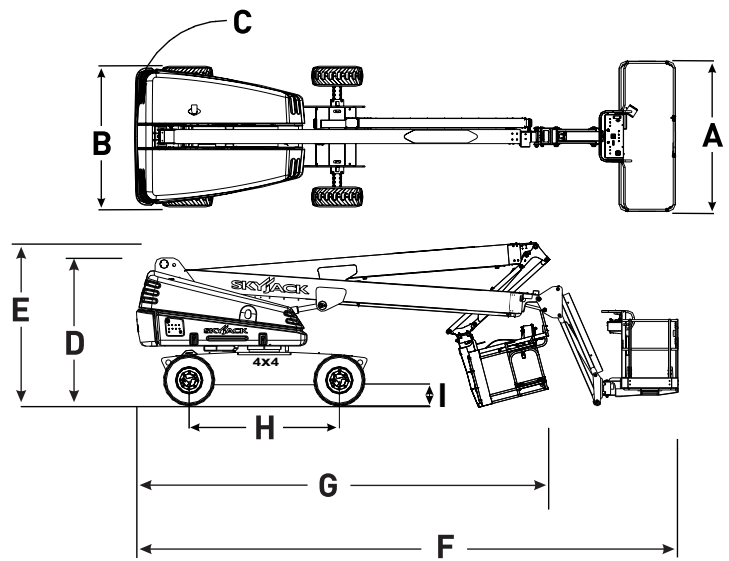
### ACCESSORIES AND OPTIONS

- Glazier kit
- Pipe rack
- Tool caddy
- Deutz D2011L03i Diesel engine (export only)
- Platform work lights
- Flashing light
- All motion alarm
- 0.91 x 2.44 m Platform
- Rear gate
- Control box cover
- Auxiliary top rail (0.91 x 2.44 m platform only)
- 3.5 kW Generator (Includes hydraulic oil cooler)
- Diesel scrubber
- Hydraulic oil cooler
- Bio oil
- 1/2" Airline to platform
- Control box cover
- 12 x 16.5 Grip lug foam-filled non-marking tires
- ELEVATE telematics

# SJ45 T TELESCOPIC BOOMS

Dimensions	SJ45 T
Work Height	15.77 m
Platform Height	13.77 m
Horizontal Reach	12.12 m
Working Reach	12.77 m
<b>A</b> Platform Size	0.91 x 1.83 m
<b>B</b> Stowed Width	2.29 m
<b>C</b> Tailswing	0.94 m
<b>D</b> Stowed Height	2.39 m
<b>E</b> Transportation Height	2.92 m
<b>F</b> Stowed Length	8.79 m
<b>G</b> Transportation Length	6.99 m
<b>H</b> Wheelbase	2.44 m
<b>I</b> Ground Clearance	0.28 m

Specifications	SJ45 T
Rotation	360° Continuous
Platform Rotation	170°
Jib Length	1.52 m
Jib Range +/-	+65° / -60°
Weight	7,100 kg
Gradeability	45%
Turning Radius (Inside)	2.13 m
Turning Radius (Outside)	5.03 m
Axle Oscillation	12.70 cm
Drive Speed (High speed)	4.0 km/h
Capacity	227 kg
Local Floor Load ( With Rated Load)	930 kPa
Overall Floor Load (With Rated Load)	9.5 kPa
Maximum # of Persons	2
Tyre Type	Grip lug foam-filled
Tyre Size	12 x 16.5
Diesel Engine	18.5kw (24.8hp)
Fuel Tank Capacity	170 L
Hydraulic Reservoir	223 L



**Skyjack UK**  
 Unit 1, Maes-y-Clawdd  
 Maesbury Road Industrial Estate  
 Oswestry, Shropshire, SY10 8NN  
 Tel: +44 1691 676235  
 Fax: +44 1691 676239  
 Email: info@skyjackeurope.co.uk

**Skyjack SAS (France)**  
 74 Rue Sibert  
 F-42400 Saint Chamond  
 France  
 Tel: +33 (0) 4 78 73 53 32  
 Tel: +33 (0) 4 78 73 05 68  
 Fax: +33 (0) 4 78 56 52 42

**Skyjack Hebebühnen GmbH (Germany)**  
 Därmannbusch 2a  
 D-58456 Witten  
 Tel: +49 (0) 2302 20 26 909  
 Fax: +49 (0) 2302 20 25 671

**Skyjack AB (Sweden)**  
 Agnesbergsvägen 28  
 424 38 Agnesberg  
 Sweden  
 Tel: +46 (0) 31 21 22 45  
 Fax: +46 (0) 31 787 65 10

[www.skyjack.com](http://www.skyjack.com)