

SJ3220/26

ELECTRIC SCISSORS



STANDARD FEATURES

- Drivable at full height
- Variable speed, rear two wheel hydraulic drive
- Dual holding brakes
- SKYCODED™ Colour coded and numbered wiring system
- On-board visual interface with diagnostic capabilities
- Shroud style, impact resistant composite control box with extended cable
- Proportional controls for drive & lift functions
- Tilt sensor (3.5° x 1.5°)
- 0.91 m Roll out extension deck
- 24V DC Power source
- Low voltage battery protection
- 25% Gradeability
- Solid rubber, non-marking tyres
- Pothole protection system
- Wiring for AC outlet at platform
- Tilt alarm with drive & lift cut-out
- All motion audible alarm
- Lanyard attachment points
- Operator horn
- Forklift pockets and tie down/lift lugs
- Overload sensing system
- Fold down hinged railing system
- Half height spring hinged entry gate
- Telematics ready
- White noise alarm
- Flashing light

OPTIONS

- Light duty pipe rack
- Heavy duty pipe rack
- Board carrier
- Tool caddy
- Dual flashing lights
- Lockable swingout trays
- AGM Batteries
- Full height spring hinged entry gate
- Bio oil
- Secondary Guarding Lift Enable (SGLE)
- ECOTRAY leak containment system (SJ3226 only)
- ELEVATE Telematics
- ELEVATE Battery Management System (BMS)*

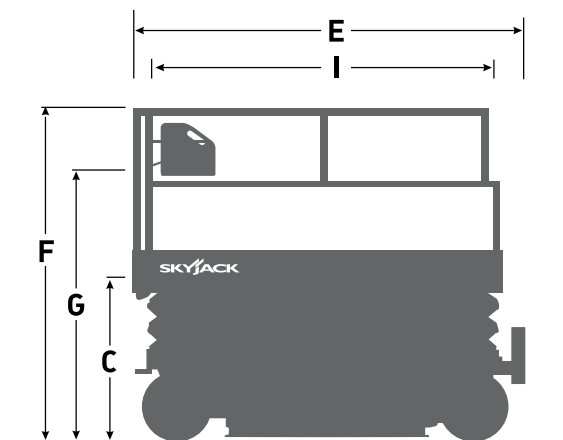
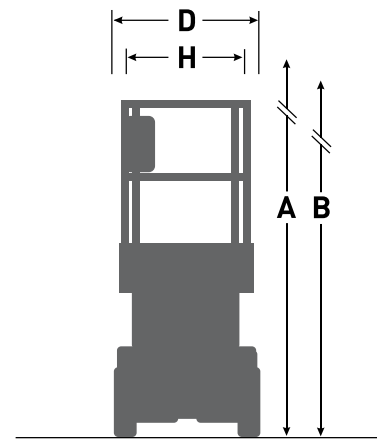
† Standard lead times may be increased when optional equipment is added, consult factory.

‡ Capacities and machine weights may differ when options are added.

* Only available with ELEVATE telematics

SJ3220/26 ELECTRIC SCISSOR LIFTS

Dimensions	SJ3220	SJ3226
A Work Height	7.95 m	9.79 m
B Raised Platform Height	5.95 m	7.79 m
C Lowered Platform Height	0.99 m	1.17 m
D Overall Width	0.84 m	0.84 m
E Overall Length	2.32 m	2.32 m
F Stowed Height (Rails Up)	2.10 m	2.29 m
G Stowed Height (Rails Down)	1.75 m	1.93 m
H Platform Width (Inside Dimension)	0.71 m	0.71 m
I Platform Length (Inside Dimension)	2.11 m	2.11 m
Specifications	SJ3220	SJ3226
Extension Deck (Roll Out)	0.91 m	0.91 m
Ground Clearance (Pothole Raised)	10.2 cm	10.2 cm
Ground Clearance (Pothole Deployed)	1.8 cm	1.8 cm
Wheelbase	1.75 m	1.75 m
Weight	1,776 kg	1,900 kg
Gradeability	25%	25%
Turning Radius (Inside)	1.09 m	1.09 m
Turning Radius (Outside)	2.64 m	2.64 m
Lift Time (With Rated Load)	28 sec	47 sec
Lower time (With Rated Load)	24 sec	41 sec
Drive Speed (Stowed)	3.7 km/h	3.7 km/h
Drive Speed (Raised)	1.0 km/h	1.0 km/h
Maximum Drive Height	Full Height	Full Height
Capacity (Overall)	408 kg	227 kg
Distributed Capacity (Main Platform)	272 kg	113 kg
Distributed Capacity (Extension Deck)	136 kg	113 kg
Local Floor Load (With Rated Load)	749 kN/m ²	718 kN/m ²
Overall Floor Load (With Rated Load)	1,209 kg/m ²	1,177 kg/m ²
Maximum # of persons at 0 m/s wind rating	2	2
Maximum # of persons up to 12.5 m/s wind rating	1	0
Tyre Type	Solid, N/M	Solid, N/M
Tyre Size	16 x 5 x 12	16 x 5 x 12



Skyjack Australia Pty Ltd
 Unit 1, 35 Honeycomb Drive
 Eastern Creek
 NSW 2766
 Australia
 Phone +61 (0) 2 9854 0700
 Fax +61 (0) 2 9854 0777
 Email: jcranmer@skyjack.com

www.skyjack.com

SKYJACK
 simply reliable