

# SJ45/60 AJE+ ELECTRIC ARTICULATING BOOMS



## STANDARD FEATURES

- 23A automatic battery charger with battery condition indicator
- 415 Ah AGM batteries
- Integrated electric traction motor brake
- Low battery warning indicator light
- EASYDRIVE™ Direction sensing drive and steer controls
- SKYRISER™ True vertical rise
- AXLDRIIVE™ Axle-based 4WD system
- Operator controlled locking rear differential and limited slip front differential
- Oscillating steer axle
- Drivable at full height
- 45% Gradeability
- Non-marking tyres
- SKYCODED™ control system
- Swing up cowlings for easy access
- Proportional controls
- Up to 454 kg capacities
- Bolt-in platform railings
- Lanyard attachment points
- Dual-entry sliding mid rails (SJ45 AJE+)  
Tri-entry sliding mid rails (SJ60 AJE+)
- Secondary Guarding Electrical (SGE)
- Overload sensing system
- Wiring for AC outlet on platform
- Tilt alarm (5.0° x 5.0°) with drive and lift cut-out
- Single point emergency lowering
- 355° Non-continuous turret rotation
- Tie down/lifting lugs
- Hourmeter
- Operator horn
- Lockable power disconnect switch



- 42% operational carbon saving compared to previous model†



- Zero emissions



- <70 dB inherently quiet machine operation (excl. alarms)
- White noise alarm – *optional*



- 90% recyclable (by weight)



- Up to 50% less hydraulic connections – reduces leak potential
- Bio-degradeable hydraulic oil – *optional*

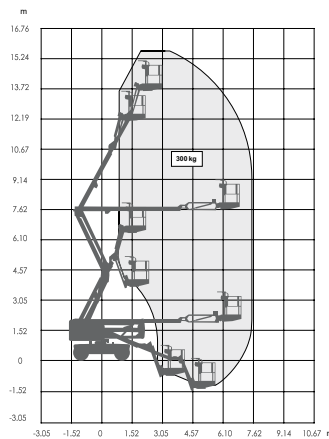
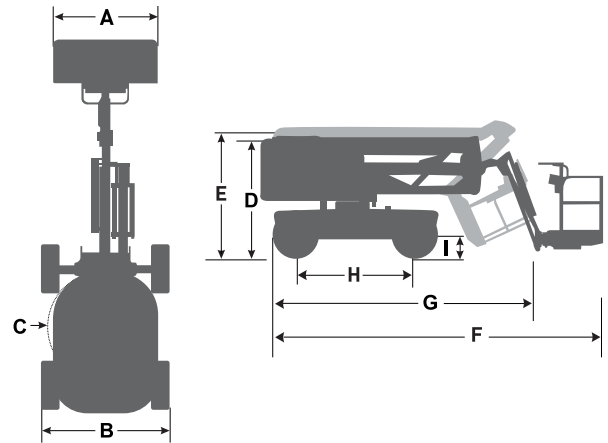


- Telematics – Remote diagnostics reduces site visits (operational carbon foot print)

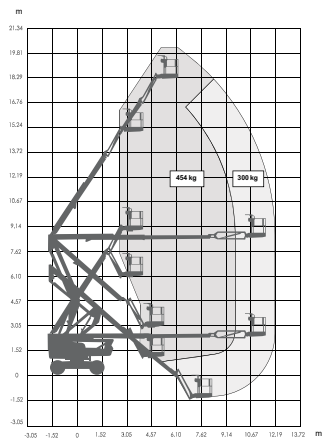
\*Compared to SJ45 AJ+ & SJ60 AJ+ diesel

# SJ45/60 AJE+ ELECTRIC ARTICULATING BOOMS

Dimensions	SJ45 AJE+	SJ60 AJE+
Work Height	15.72 m	20.29 m
Platform Height	13.72 m	18.29 m
Horizontal Reach	6.93 m	11.56 m
Up and Over Height	7.45 m	8.31 m
<b>A</b> Platform Size	0.76 x 1.83 m	0.91 x 2.44 m
<b>B</b> Stowed Width	2.29 m	2.44 m
<b>C</b> Tailswing	0.61 m	0.61 m
<b>D</b> Stowed Height	2.06 m	2.54 m
<b>E</b> Transportation Height	2.37 m	2.79 m
<b>F</b> Stowed Length	6.00 m	8.59 m
<b>G</b> Transportation Length	4.75 m	6.60 m
<b>H</b> Wheelbase	2.03 m	2.44 m
<b>I</b> Ground Clearance	0.39 m	0.33 m
Specifications	SJ45 AJE+	SJ60 AJE+
Rotation	355° NC	
Platform Rotation	170°	
Jib Length	1.40 m	1.52 m
Jib Range +/-	+70° / -75°	+65° / -60°
Weight	5,488 kg	8,888 kg
Gradeability	45%	
Turning Radius (Inside)	1.50 m	2.21 m
Turning Radius (Outside)	4.34 m	5.31 m
Axle Oscillation	12.70 cm	10.16 cm
Drive Speed (High speed)	4.8 km/h	
Capacity	300 kg	300/454 kg
Maximum Wind Rating	12.5 m/s	12.5 m/s
Personnel Rating at Max Wind Rating	2	2 / 3
Tyre Size	10 x 31	14 x 610
Tyre Type	N/M Solid	N/M Foam-Filled
Batteries	415 Ah AGM	
Charge Time	0-100% <15 hrs / Bulk charge 20-80% <9 hrs	
Hydraulic Reservoir	91 L	115 L



SJ45 AJE+ WORKING ENVELOPE



SJ60 AJE+ WORKING ENVELOPE

## ACCESSORIES

- Glazier kit
- Pipe rack
- Tool caddy

## OPTIONS

- Flashing light
- All motion audible alarm
- 0.91 x 1.83 m platform (SJ60 AJE+)
- Side spring hinged entry gate (SJ45 AJE+)
- Rear spring hinged entry gate (SJ60 AJE+)
- Control box cover
- Bio oil
- White noise alarm
- ELEVATE telematics

[www.skyjack.com](http://www.skyjack.com)

### Skyjack Australia

Unit 1, 35 Honeycomb Drive  
Eastern Creek  
New South Wales 2766  
Australia  
Tel: +61 (0) 2 9854 0700  
Fax: +61 (0) 2 9854 0777  
Email: [jcranmer@skyjack.com](mailto:jcranmer@skyjack.com)

**SKYJACK**  
simply reliable