



SJ22/28 TE+

ELECTRIC TELESCOPIC BOOMS








STANDARD FEATURES

- EASYDRIVE™ Direction Sensing Drive and Steer Controls
- AXLDRIIVE™ Axle-based 4WD System
- SKYCODED™ color coded and numbered wiring
- 360° Continuous Turret Rotation
- 300 kg / 454 kg Dual Capacity
- Auto Retraction - one-touch Boom down
- CAN-based Control System
- Hostile Environment Package
(including cylinder bellows, boom wipers, covers for fly boom cutouts, and control box cover)
- High efficiency AC Brushless Traction Motor with intergrated braking system
- Operator-controlled locking rear differential and limited slip front differential
- Propotional joystick controls and speed selector for platform toggle switch controls
- Oscillating Steer Axle
- Drivable at Full Height
- Tilt Alarm (5.0° x 5.0°) with drive and lift cut-out
- Emergency Lowering System
- Grip lug foam-filled tires
- Tie down
- Swing out cowling for easy access
- Overload Sensing System
- All Motion Audible Alarm
- Lockable Power Disconnect Switch
- High Capacity Li-ion Battery
- Charger with multiple charging modes
- Flashing Light
- Bolt-in platform railing system
- Tri-entry rails - one spring-hinged gate with 2 sliding bars
- Secondary Guarding Electrical (SGE)
- Hourmeter
- Operator Horn
- Standard Beeper Alarm System

OPTIONS

- 0.91 m x 1.83 m Platform (SJ22 TE+ & SJ28 TE+)
- White Noise Alarm System

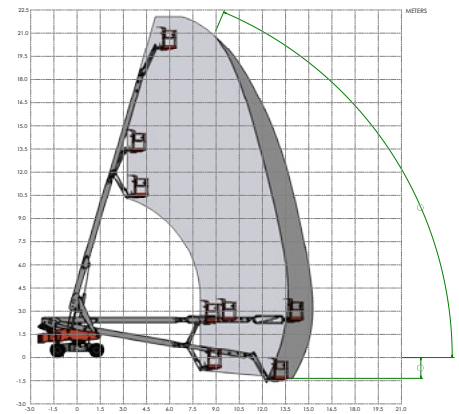
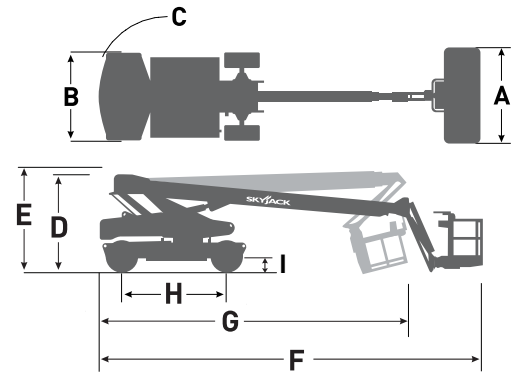
	■ 56% operational carbon saving
	■ Zero emissions
	■ <70 dB inherently quiet machine operation (excl. alarms)
	■ 85% recyclable (by weight)
	■ Up to 50% less hydraulic connections - reduces leak potential

*Compared to SJ86 T diesel boom

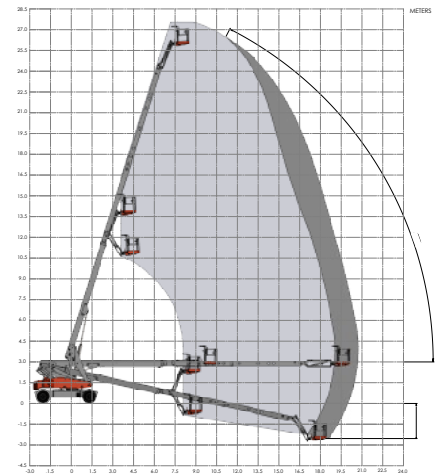
† Standard lead times may be increased when optional equipment is added, consult factory.
‡ Capacities and machine weights may differ when options are added.

SJ22/28 TE+ ELECTRIC TELESCOPIC BOOMS

Dimensions	SJ22 TE+	SJ28 TE+
Work Height	22.30 m	28.22 m
Platform Height	20.30 m	26.22 m
Horizontal Reach	15.20 m	20.80 m
A Platform Size (Standard)	0.91 m x 2.44 m	0.91 m x 2.44 m
B Stowed Width	2.50 m	2.51 m
C Tailswing	1.53 m	1.53 m
D Stowed Height	2.57 m	3.15 m
E Transportation Height	2.65 m	3.15 m
F Stowed Length	11.94 m	12.49 m
G Transportation Length	9.65 m	10.85 m
H Wheelbase	2.51 m	3.35 m
I Ground Clearance	0.53 m	0.40 m
Specifications	SJ22 TE+	SJ28 TE+
Rotation	360° Continuous	360° Continuous
Platform Rotation	175°	175°
Jib Length	1.68 m	1.68 m
Jib Range +/-	70° / 60°	70° / 60°
Weight	10,500 kg	16,275 kg
Gradeability	35%	45%
Turning Radius (Inside)	2.90 m	3.36 m
Turning Radius (Outside)	5.90 m	6.83 m
Axle Oscillation	8 cm	6 cm
Drive Speed (High Speed)	4.8 km/h	4.8 km/h
Capacity	300 kg / 454 kg	300 kg / 454 kg
Maximum Wind Rating	28 mph (12.5 m/s)	28 mph (12.5 m/s)
Personnel Rating at Max Wind Rating	2 / 3	2 / 3
Tire Type	Foam-Filled	Foam-Filled
Tire Size	15-625	18-625
System Voltage	48 V	80 V
Battery Capacity (Li-ion)	460AH	519AH
Bulk Charging Time at 60A (Li-ion Battery) 0%-80%	≤5 Hours	≤5 Hours
Bulk Charging Time at 80A (Li-ion Battery) 0%-80%	-	≤4 Hours
Hydraulic Oil Tank Capacity	66 L	150 L



SJ22 TE+ WORKING ENVELOPE



SJ28 TE+ WORKING ENVELOPE

Skyjack Asia-Pacific

No.66 Bao Shui Road, Airport Economic Area,
Tianjin Pilot Free Trade Zone, Tianjin, China, 300308
Tel: +86 22 2308 9888
asia.sales@skyjack.com

Skyjack Head Office

55 Campbell Road, Guelph, ON Canada N1H 1B9
Sales Inquiries: 1-877-755-4387 (1-877-SJLIFTS)
Main Switchboard: 1-800-265-273

www.skyjack.com



SKYJACK
simply reliable