



SJIII 3215/19

ELECTRIC SCISSOR LIFTS

STANDARD FEATURES

- Drivable at full height with roll out deck fully extended
- Variable speed, front two wheel hydraulic drive
- 90° steering (zero inside turning radius)
- Dual holding brakes
- Proportional controls for drive & lift functions
- 0.91 m roll out extension deck
- 24V DC power source
- Low voltage battery protection
- Relay based control system
- Colour coded and numbered wiring system
- 30% gradeability
- Solid rubber, non-marking tyres
- Pothole protection system
- Wiring for AC outlet on platform
- Tilt alarm with drive & lift cut-out
- Overload sensing system
- Lowering warning system
- Operator horn
- Half height spring hinged gate
- Hinged railing system
- Lanyard attachment points
- Forklift pockets and tie down/lift lugs

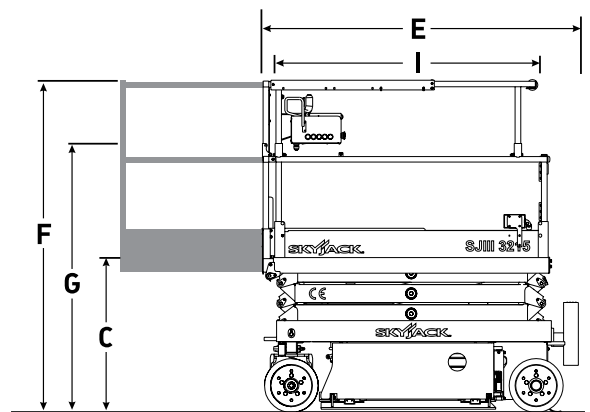
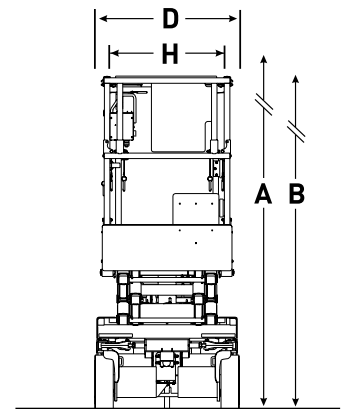
ACCESSORIES AND OPTIONS

- Flashing light
- All motion audible alarm
- 250Ah batteries
- Dual flashing lights
- AGM batteries
- Shroud-style control box guard
- Pipe racks
- Drywall/board carrier

* Capacities, and machine weights may differ when options are added.

SJIII 3215/19 ELECTRIC SCISSOR LIFTS

Dimensions	SJIII 3215	SJIII 3219
A Work Height	6.57 m	7.79 m
B Raised Platform Height	4.57 m	5.79 m
C Lowered Platform Height	0.88 m	0.99 m
D Overall Width	0.81 m	0.81 m
E Overall Length	1.78 m	1.78 m
F Stowed Height (Rails Up)	1.98 m	2.10 m
G Stowed Height (Rails Down)	1.63 m	1.75 m
H Platform Width (Inside Dimension)	0.66 m	0.66 m
I Platform Length (Inside Dimension)	1.63 m	1.63 m
Specifications	SJIII 3215	SJIII 3219
Extension Deck (Roll Out)	0.91 m	0.91 m
Ground Clearance (Stowed)	6.03 cm	6.03 cm
Ground Clearance (Raised)	1.78 cm	1.78 cm
Wheelbase	1.40 m	1.40 m
Weight	1,120 kg	1,312 kg
Gradeability	30%	25%
Turning Radius (Inside)	0	0
Turning Radius (Outside)	1.68 m	1.68 m
Lift Time (With Rated Load)	23 sec	25 sec
Lower time (With Rated Load)	24 sec	29 sec
Drive Speed (Stowed)	3.1 km/h	3.1 km/h
Drive Speed (Raised)	1.1 km/h	1.1 km/h
Maximum Drive Height	Full Height	Full Height
Capacity (Overall)	227 kg	227 kg
Distributed Capacity (Main Platform)	114 kg	114 kg
Distributed Capacity (Extension Deck)	113 kg	113 kg
Local Floor Load (With Rated Load)	742 kPa	782 kPa
Overall Floor Load (With Rated Load)	9 kPa	11 kPa
Maximum # of Persons (indoor/outdoor)	2/1	2/1
Tyre Type	Solid, N/M	Solid, N/M
Tyre Size	12 x 4 x 8	12 x 4 x 8



Skyjack UK
 Unit 1, Maes-y-Clawdd
 Maesbury Road Industrial Estate
 Oswestry, Shropshire, SY10 8NN
 Tel: +44 1691 676235
 Fax: +44 1691 676239
 Email: info@skyjackeurope.co.uk

Skyjack SAS (France)
 ZI Le Clairin
 69700 Saint Romain en Gier
 France
 Tel: +33 (0) 4 78 73 53 32
 Tel: +33 (0) 4 78 73 05 68
 Fax: +33 (0) 4 78 56 52 42

**Skyjack Hebebühnen GmbH
 (Germany)**
 Därmannsbuch 2a
 D-58456 Witten
 Tel: +49 (0) 2302 20 26 909
 Fax: +49 (0) 2302 20 25 671

Skyjack AB (Sweden)
 Agnesbergsvägen 28
 424 38 Agnesberg
 Sweden
 Tel: +46 (0) 31 21 22 45
 Fax: +46 (0) 31 787 65 10

www.skyjack.com